

Stock Code: **50123LEDDL-BS/OPL**

Collection: Tara

PRODUCT INFORMATION

Base: 50123 Parent: 50123LEDDL
Mounting Type: Ceiling UPC: 641594220896
Finish: Brushed Steel
Diffuser: Opal

PRODUCT MEASUREMENTS

FIXTURE	BACKPLATE / CANOPY
Length:	Length
Width:	Width:
Diameter 18"	Diameter: 5.25"
Height: 4.75"	Height: 1.5"
Extension:	
Overall Height: 7-50.75"	

TECHNICAL SPECIFICATIONS

SPECIFICATIONS

Frame Material: Metal
Diffuser Material: Glass
Lamping Type: E-26 (Replaceable LED Jbox: Standard
Lamping Base: E-26 Lamp Wattage: 10 W
Lamp Quantity: 3 Total Wattage: 30 W
Voltage: 120v Lamps Included: Yes

QUALIFICATIONS

Location Rating Damp
Certification: UL (US/Canada) Listed
ADA Compliant: No Energy Star: No
JA8 Compliant: Yes Emergency Lighting: No
Marine Grade: No Warranty: 1 Year

PHOTOMETRICS

Dimmable: Yes Nominal Lumens 2400 Lm
CRI: 90 Delivered Lumens: N/A
CCT: 3000K
Recommended Dimmers:
(MLV)COOPER Aspire 9530SW; (TRIAC)LEGRAND Titan
CD703-PW; (ELV)LUTRON Skylark SELV-300P

Additional Notes:

6, 16, and 22-inch down rods included; Optional 6, 16, and 22-inch down rods available (max 10 feet); 10 feet of cord included; Sloped ceiling adapter included; Custom Finish 5 Piece Minimum Order Quantity

Project Name: _____

Location: _____

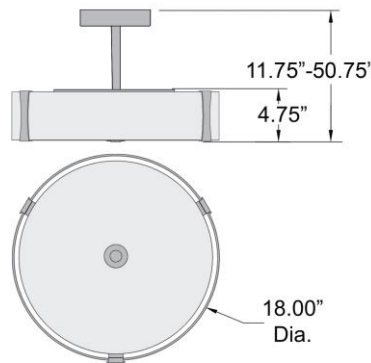
Type: _____

Quantity: _____

Notes: _____



LINE DRAWING



IES FILE

In addition to Access Lighting's purchase and warranty terms and conditions, by signing below or placing an order, you agree that you are authorized to bind the entity placing any order and acknowledge the following: All of sizes and measurements are approximate and all images are for illustrative purposes only. In the event of an inconsistency, the "Product Measurements" section controls. There also may be slight differences in the colors and designs compared to the displayed and printed images.

Signature: _____

Print Name _____ Date: _____

Toll Free 800-828-5483 www.AccessLighting.com

14410 Myford Road, Irvine, CA 92606

